

**BARET Pinch Valve**

**BARET High Abrasion Pinch Valve**



**BARET** High abrasion Pinch Valves are reliable, low maintenance, cost-effective valves for slurries, abrasives and corrosive applications. When fully open the full bore design is identical to a rubber lined pipe. This design completely encapsulates the media, and prevents the risk of media contaminating any of the mechanical working parts.

**Typical Applications for the BARET Pinch Valve**

**Mineral Processing**

- Mine tailings
- Slurries
- Corrosives
- Acids
- Pump isolation (Suction & Discharge)

**Power Generation**

- Ash handling
- Coal
- Dust and scrubber slurries

**Oil Sands**

- Oil Drilling mud

- Mineral Dressing Plants
- Fertilizer manufacturers
- Sewage effluent treatment
- Slurry tailings valve
- Thickener or clarifier
- Cyclone isolation
- Dry hoppers
- Pneumatic Conveying
- Paper pulps
- Cement
- Pump Isolation

17 Resnick Street,  
Factoria,  
Krugersdorp,  
Gauteng.

Phone: +27 11 955 4690  
sales@spirotech.co.za

www.spirotech.co.za

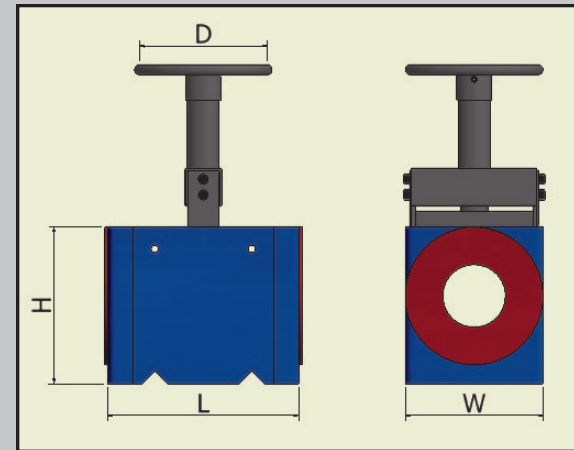
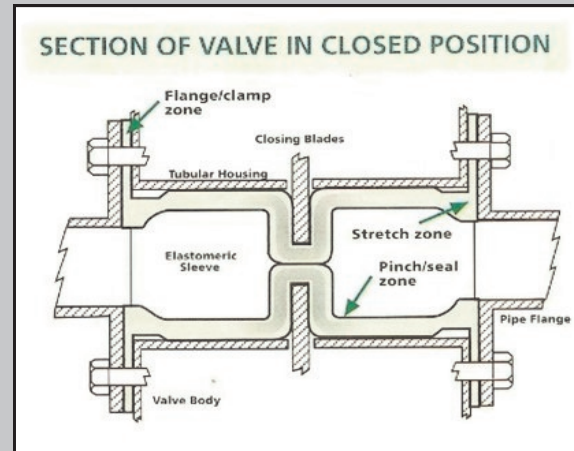
GPS: S26° 06,859'  
E027° 48,680'

Technical Queries:  
Martin Van Meygaarden  
+27 82 903 2917  
martin@spirotech.co.za

## BARET Pinch Valve

### BARET—Technical Details

Due to the full bore design, turbulence is greatly reduced, which reduces wear and increases the life of the valve. Scale build stuck to the sleeve wall will break up and dislodge passing through the valve because of the flexing of the rubber sleeve. BARET Pinch Valves are bi-directional and feature a drop tight shutoff. They have been designed with a shortened face-to-face dimension, similar to that of a diaphragm valve.



Nominal Bore	Working Press. (Bar)	Length F2F (L)mm	Body Width (w)mm	Body Height (H)mm	Weight Kg	Turns To Close	H/Wheel Diam (D)mm	Open Height mm	Closed Height mm
50	16	190	165	165	9	12	165	315	355
80	16	255	200	200	15	18	200	380	420
100	16	305	220	240	24	23	220	480	530
150	16	405	300	320	48	33	300	610	700
200	16	520	360	450	90	45	450	930	1035
250	16	635	450	550	148	55	450	1085	1215
300	16	750	500	600	170	65	500	1245	1430
350	16	970	550	750	233	77	650	1410	1590

17 Resnick Street,  
Factoria,  
Krugersdorp,  
Gauteng.

Phone: +27 11 955 4690  
sales@spirotech.co.za

www.spirotech.co.za  
GPS: S26° 06,859'  
E027° 48,680'

Technical Queries:  
Martin Van Meygaarden  
+27 82 903 2917  
martin@spirotech.co.za